

# Majestic - Single Handle Pressure Balanced Tub & Shower Set



- \* Pressure Balanced & Ceramic (Type F)
- \* Solid Brass Waterway Construction with 1/2" -14 NPT Connection
- \* Integral Stops, Diverter Tub Spout
- \* 4-7/8" Three Function Plastic Shower Head, Zinc Handle
- \* Stainless Steel Shower Arm
- \* Stainless Steel Round Plate
- \* Zinc Die Cast Tub Spout
- \* Shower Head Flow Rate: 1.5GPM
- \* 100% Pressure System Tested

Project / Job Name	
Architect / Engineer	
Contractor	
Model	
Quantity	

**Model No. :**



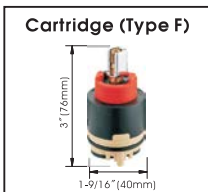
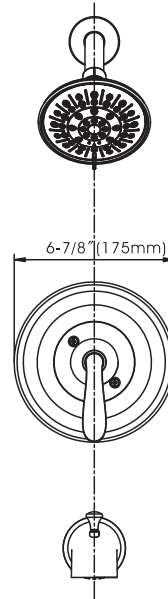
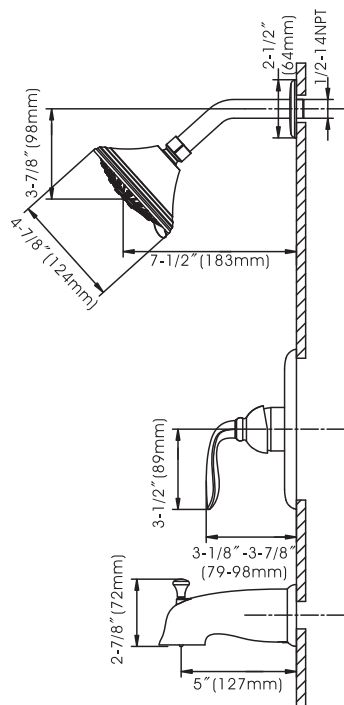
211-6623 (CH)  
 (Shown Model)



211-6624 (BN *Spotless* PVD)

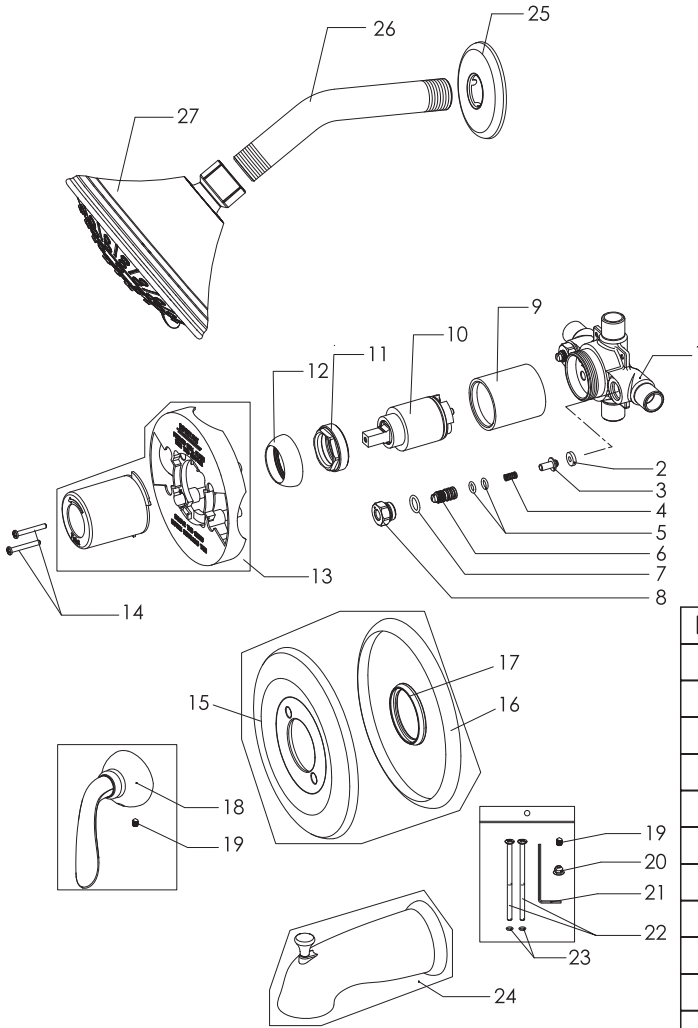


211-6625 (ORB)



**Product Compliance:**  
 • ASME A112.18.1 / CSA B125.1  
 • ANSI A117.1 (ADA)  
 • ASSE 1016

# Majestic - Single Handle Pressure Balanced Tub & Shower Set



**Model No. :**

211-6623 (Polished Chrome)

211-6624 (Brushed Nickel *Spotless PVD*)

211-6625 (Oil-Rubbed Bronze)

No.	Part Name	Material
1	Valve Body	Brass
2	Sealing Washer	Rubber
3	Stopper	Brass
4	Spring	Stainless Steel
5	O-Ring	Rubber
6	Adjuster	Brass
7	O-Ring	Rubber
8	Adjuster Seat	Brass
9	Cartridge Sleeve	Zinc
10	Cartridge	Ceramic
11	Cartridge Lock Nut	Brass
12	Trim Cap	Plastic
13	Protective Kit	Plastic
14	Screw	Stainless Steel
15	Escutcheon	Stainless Steel
16	Sealing Ring	Rubber
17	Sealing Ring	Rubber
18	Handle	Zinc
19	Set Screw	Stainless Steel
20	Button	Plastic
21	Allen Key	Steel
22	Screw	Stainless Steel
23	O-Ring	Rubber
24	Tub Spout	Zinc
25	Shower Arm Flange	Stainless Steel
26	Shower Arm	Stainless Steel
27	Shower Head	Plastic

Cartridge (Type F)



Technical Support: [warranty@cmiproduct.com](mailto:warranty@cmiproduct.com)  
 Hour of Operation: Mon - Fri 8:30 a.m - 5:00 p.m. EST